

Medical compact sink MP'SMART® Electronic

Compact size, with a pure elegant design, the MP'SMART® scrub guarantees a hygienic hand wash in tight places in order to meet full hygiene compliance and to fight against healthcare-associated infections.

The MP'SMART® allows all small offices such as dentals, physiotherapists, or general practitioners to take their office clean conditions and water hygiene to the next level.

Material: Made of reinforced molded polyester resin fiberglass. The outer coating is made of high grade iso NPG sanitary gelcoat.

Targeted services: Dental offices, physiotherapists, general practitioner, nursing room, patient room, hospital corridor.



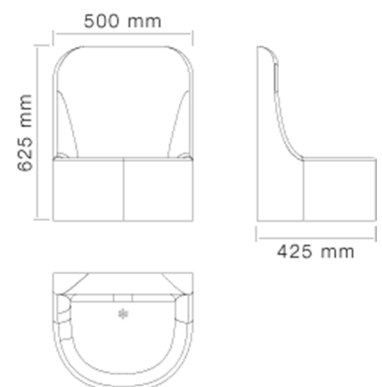
Water command

Electronic infrared sensor



Dimensions

L : 500 mm
H : 625 mm
D : 425 mm
Weight : 10 Kg



Standard equipment

- 1 Infrared sensor with adjustable detection range
 - + 220V AC device and Battery device. 2 in 1
 - + Automatic flush (6h/12h/Off after last use)
 - + Easy setting with an optional remote control
 - + Control box easy to unclip for maintenance
- 1 Gooseneck tap, chromed finish
- 1 Siphon of Ø32mm
- 1 Regulation valve
- HDPE flexible connecting hoses
- Stainless steel fixing frame

Optional accessories

- Thermostatic mixer with anti-burn security
- Prefiltering kit 1 or 5µ with pressure protection system
- Autoclavable quick connected faucet
- Specific dry siphon
- Medical disinfectable glass siphon
- Terminal filter 0.2µ all germs, 14 or 31 days
- Terminal filter 0.2µ anti-legionella only 62 days
- Terminal filter 0.2µ autoclavable 60 cycles
- Terminal filter 0.2µ all germs 70 days
- Elbow command Airless Soap dispenser
- Electronic command Airless Soap dispenser
- Manual paper dispenser

Medical compact sink MP'SMART® Knee control

Compact size, with a pure elegant design, the MP'SMART® scrub guarantees a hygienic hand wash in tight places in order to meet full hygiene compliance and to fight against healthcare-associated infections.

The MP'SMART® allows all small offices such as dentals, physiotherapists, or general practitioners to take their office clean conditions and water hygiene to the next level.

Material: Made of reinforced molded polyester resin fiberglass. The outer coating is made of high grade iso NPG sanitary gelcoat.

Targeted services: Dental offices, physiotherapists, general practitioner, nursing room, patient room, hospital corridor.



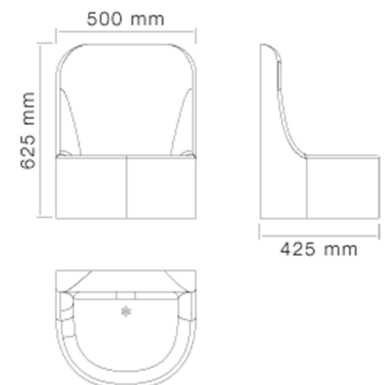
Water command

Mechanical knee control



Dimensions

L : 500 mm
H : 625 mm
D : 425 mm
Weight : 10 Kg



Standard equipment

- 1 Knee control stick with tempomatic valve
- 1 Gooseneck tap, chromed finish
- 1 Siphon of Ø32mm
- 1 Regulation valve
- HDPE flexible connecting hoses
- Stainless steel fixing frame

Optional accessories

- Thermostatic mixer with anti-burn security
- Prefiltering kit 1 or 5µ with pressure protection system
- Autoclavable quick connected faucet
- Specific dry siphon
- Medical disinfectable glass siphon
- Terminal filter 0.2µ all germs, 14 or 31 days
- Terminal filter 0.2µ anti-legionella only 62 days
- Terminal filter 0.2µ autoclavable 60 cycles
- Terminal filter 0.2µ all germs 70 days
- Elbow command Airless Soap dispenser
- Electronic command Airless Soap dispenser
- Manual paper dispenser

Medical compact sink MP'SMART® Elbow control

Compact size, with a pure elegant design, the MP'SMART® scrub guarantees a hygienic hand wash in tight places in order to meet full hygiene compliance and to fight against healthcare-associated infections.

The MP'SMART® allows all small offices such as dentals, physiotherapists, or general practitioners to take their office clean conditions and water hygiene to the next level.

Material: Made of reinforced molded polyester resin fiberglass. The outer coating is made of high grade iso NPG sanitary gelcoat.

Targeted services: Dental offices, physiotherapists, general practitioner, nursing room, patient room, hospital corridor.



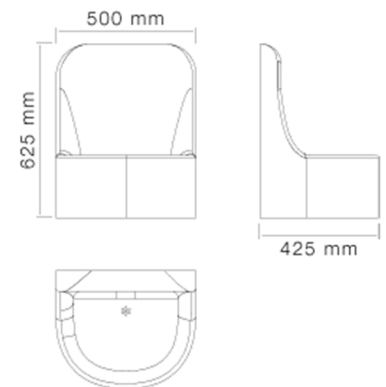
Type de commande

Mechanical elbow control



Dimensions

L : 500 mm
H : 625 mm
D : 425 mm
Weight : 10 Kg



Standard equipment

- 1 Elbow control tap including mixer
- 1 Siphon of Ø32mm
- 1 Regulation valve
- HDPE flexible connecting hoses
- Stainless steel fixing frame

Optional accessories

- Thermostatic mixer with anti-burn security
- Prefiltering kit 1 or 5µ with pressure protection system
- Autoclavable quick connected faucet
- Specific dry siphon
- Medical disinfectable glass siphon
- Terminal filter 0.2µ all germs, 14 or 31 days
- Terminal filter 0.2µ anti-legionella only 62 days
- Terminal filter 0.2µ autoclavable 60 cycles
- Terminal filter 0.2µ all germs 70 days
- Elbow command Airless Soap dispenser
- Electronic command Airless Soap dispenser
- Manual paper dispenser